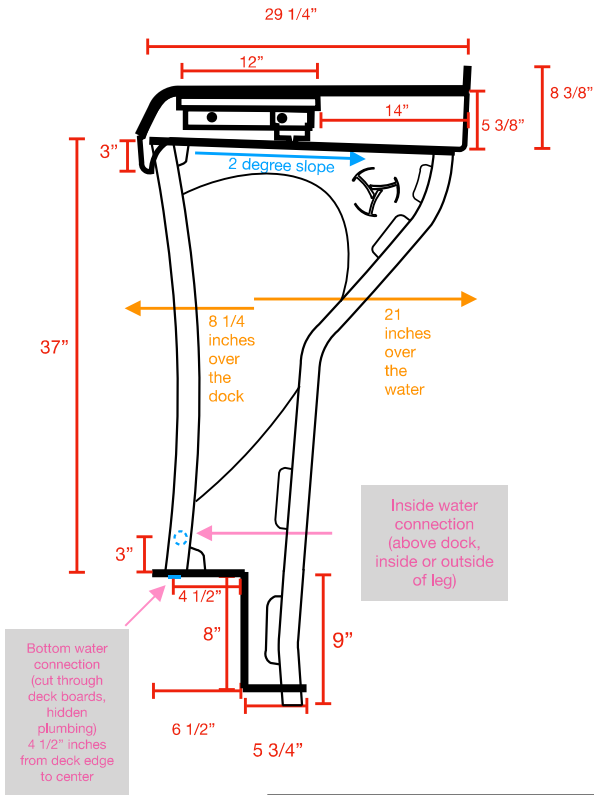


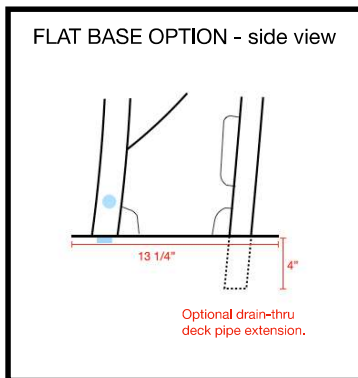
Upscale 6 1/2

Patents: US D859,040, US D859,041, US D886,328

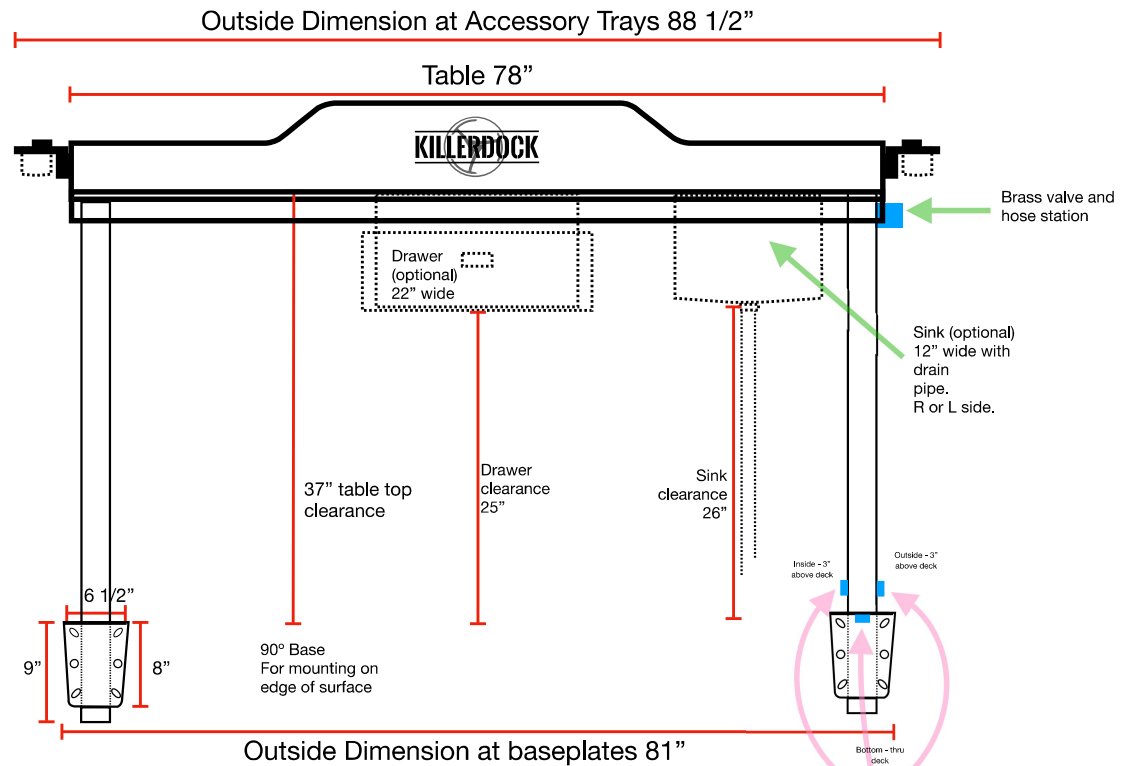
Side View



FLAT BASE OPTION - side view



Front View



1/2" NPT Female coupling. Location options for each hose station. Chosen while ordering.